

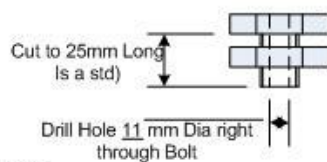
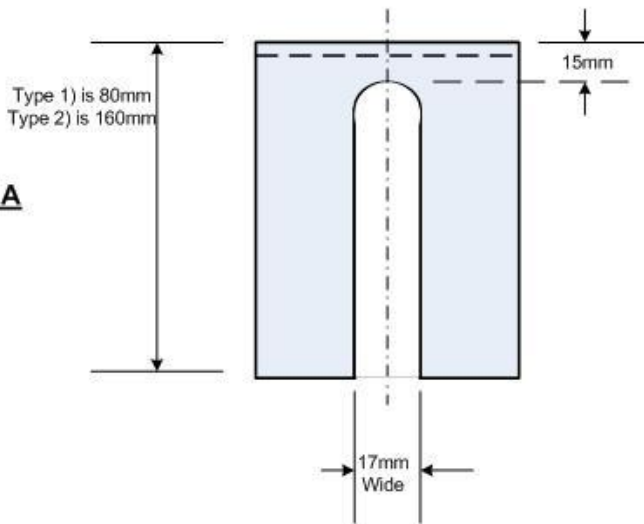
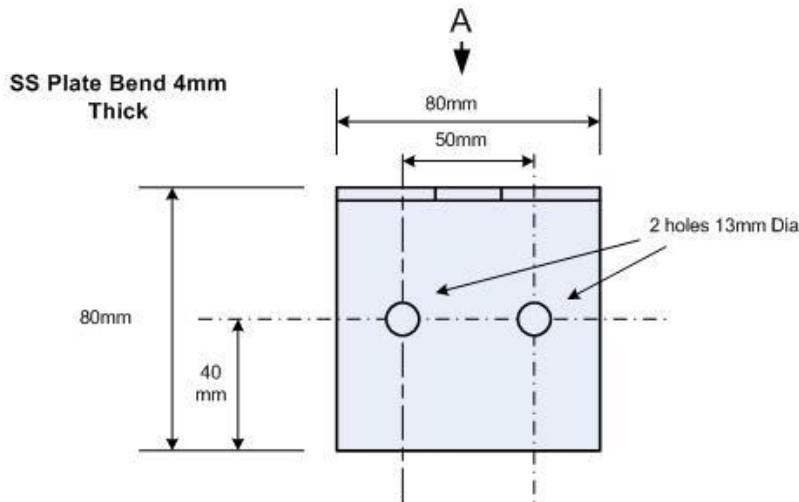


Everyvalve Ltd



Page 12	Year 2016	Telephone : 0170-642018	Data sheet
 www.everyvalve.com	PEHD Slide Valve 1000mm Extension Spindle and Bracket Proposal		 Sales@everyvalve.com

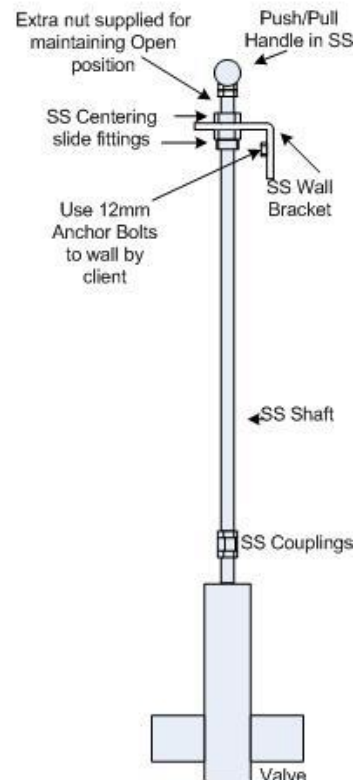
Wall Bracket for PEHD Slide Valves by Everyvalve Ltd



- 16mm SS Bolt
- 16mm SS Nut
- Assy with 16mm Washer

Based on Standards
16mm Bolts have a 10.1mm thick head
16mm Nuts have a 12.3mm thickness

Assy Illustration



Production Issue
2 - 26.09.16
Sales 29.0916



PEHD Slide Valve Bracket With Extension

