

Designed for diverting liquid flows along alternative routes/ports Chemicals and water applications are typical uses subject to material of valve etc. Compatibility. All valves are the Ball Plug Type and have PTFE seats & EP seals WNS

Type (1) = PVC True Union valves with bottom entry 'L' Port socket end. Lockable standard.
Type (2) = PVC True Union valves with horizontal entry 'T' Port socket end. Lockable. configuration.
Type (3) = PP 2 part union valves with bottom entry 'L' Port connection standard. (Any End).
Type (4) = PP Single Union valves with bottom entry 'L' Port OEM economy type. (BSP Female)

	Type (1) PVC		Type (2)	Type (3) PP	Type (4) PP
	SOCKET ENDS			FUSION / BSP ENDS	BSP ENDS Data Sheet
	'L Port '	'T Port' (HORI)		'L Port '	'L Port' (ECONOMY)
Pressure	10 BAR	10 BAR		10 BAR	8 BAR
Size	Ref : 10P60	Ref : 10P65		Ref : 10P20	Ref : 10P21
1/4"	-	-		-	£ 16.80
3/8"	£ 64.00	£ 64.00		-	-
1/2"	£ 64.00	£ 64.00		£ 49.15	£ 12.80
3/4"	£ 65.00	£ 65.00		£ 51.55	£ 13.69
1"	£ 65.00	£ 65.00		£ 59.44	£ 16.25
1.25"	£ 100.00	£ 100.00		£ 70.73	£ 26.71
1.5"	£ 100.00	£ 100.00		£ 93.51	£ 35.62
2"	£ 125.00	£ 125.00		£ 109.09	£ 52.31
2.1/2"	-	-		£ 118.00 SANDWICH TYPE	£ 52.31
3"	£ 623.00	£ 623.00		£ 124.00 SANDWICH TYPE	-
4"	£ 1127.00	£ 1127.00		-	-

Electric Op-> Page 19/19a
Pneumatic Op->Page 19/19d

On Application 2" 'T' Port GFPP 3 way valve= £210.76 Ref 10P2220T.
On Application 2" 'L' Port GFPP 4 way valve=£298.00 Ref 10P2221L.

1/4" T = NPT Threaded (Special Compact Style Valve).
Electric & Pneumatic available above --> plus modulating 0 to 10 volt control if required per special requirement.

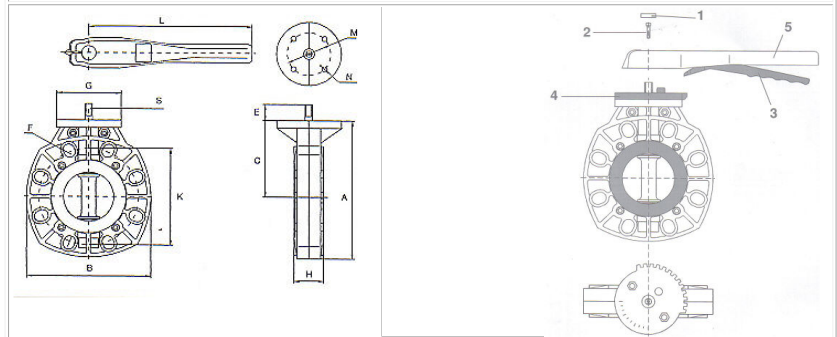
PVC BUTTERFLY VALVE TO 250mm (PP to 24")

This light valve give efficient operation combined with economic cost & corrosion resistance. A slim disc gives good flow qualities + the valve can also be fitted with sockets for ease of cementing straight into pipe with minimum fuss. EPDM seals are standard (FPM is extra). Spring acting lever has limit travel positioning notches. Gearboxes for all sizes possible. Do not over torque/tighten bolts when mounting. Options for Electric/Pneumatic Actuation also) PVC Spindle and metal insert.

Size	Material	Dimension (SEE BELOW FOR REFERENCE)										Ref:10P163	Ref:10P163M	Special		
		A	B	C	E	F	H	L	Nm	Bar	Kg>	Wafer	Mounted	+ FPM		
2"	50mm	PVC	193	165	110	28	18*4	48	197	25	10	2	£ 119.00	£ 148.39	+£50	
2.5"	65mm	PVC	193	165	110	28	Wafer	48	197	25	10	2	£ 119.00	£ 152.35	+£50	
3"	80mm	PVC	227	130	126	30		53	260	55	10	3	£ 139.00	£ 202.40	+£58	
4"	100mm	PVC	271	150	157	30		60	260	100	6	4	£ 155.10	£ 231.00	+£89	
5"	125mm	PVC	297	250	172	30		66	260	120	6	4	£ 180.40	£ 277.00	+£123	
6"	150mm	PVC	327	285	185	30		72	260	140	4	6	£ 221.10	£ 390.00	+£204	
8"	200mm	PVC	400	340	230	30		73	390	340	4	9	£ 328.90	£ 576.00	+£284	
10"	250mm	PVC	450	320	250	35		106	GBx	450	3	16	£ 654.50	TBA	+£174	
12"	300mm	PP	522	367	270	60		20*16	126	GBx	800	3	33	£ 1,136.26*	-	TBA
14"	350mm	PP	560	420	300	60		20*16	126	GBx	800	3	38	£ 3,533.49*	-	TBA
16"	400mm	PP	665	604	363	60		20*20	169	GBx	1600	3	69	£ 6,360.29*	-	TBA
18"	450mm	PP	675	634	365	70	20*20	181	GBx	1600	2	90	TBA	-	TBA	
20"	500mm	PP	769	728	405	70	20*20	191	GBx	2000	2	90	TBA	-	TBA	
24"	600mm	PP	875	850	450	70	20*20	209	GBx	2400	1		TBA	-	TBA	

Can be supplied complete with Stub Flanges Backing Rings & Bolts assembled (i.e. mounted)
 All dimensions are in mm. Valve is based on NP10 flanges but has elongated holes for BS or ANSI types.
 * = PP types. G = Gear Boxed. PP types is changed construction.
 Above are full bodied wafer types and can offer cheaper basic wafer types to 8" on call.

WAFFER TYPE



MOUNTED TYPE

