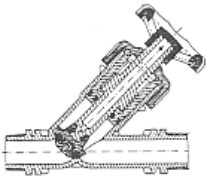
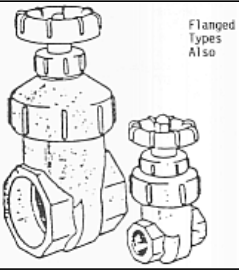
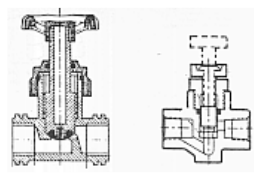
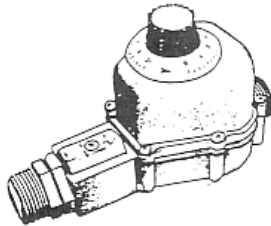
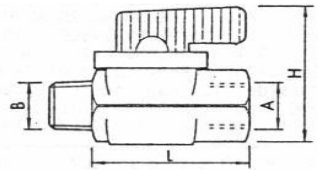



ANGLE SEAT VALVE					U PVC GATE VALVES				GLOBE/NEEDLE VALVES																																																																						
																																																																															
															Material ----- Black Polypropylene Pressure ----- 0 to 10 Bars Seal Material - Nitrile Rubber Connections -- Male BSP ends Temperature -- 5°C - 80°C Applications -- Water / Air (light use) BSP Male					Material ----- Grey U PVC Pressure ----- 0 to 10 Bars Seal Material - EPDM Rubber Connections -- Plain or BSP Temperature -- + 5°C - 50°C Applications -- Water / Chemical				Material ----- Black PP (Globe) PVC (Needle) Pressure ----- 0 to 10 Bars Seal Material -- EPDM (Globe) FPM (needle) Connections -- Threaded Female Ends Temperature -- + 5° - 80°C (PP) 50°C (PVC) Applications --- Water / Air / Chemical?																																																							
					<table border="1"> <thead> <tr> <th>Plain Sockets</th> <th>BSP Socket</th> <th>Size</th> <th>Price</th> </tr> </thead> <tbody> <tr> <td>13P2005</td> <td>13P2105</td> <td>1/2"</td> <td>£ 21.00</td> </tr> <tr> <td>13P2007</td> <td>13P2107</td> <td>3/4"</td> <td>£ 24.00</td> </tr> <tr> <td>13P2010</td> <td>13P2110</td> <td>1"</td> <td>£ 29.00</td> </tr> <tr> <td>13P2012</td> <td>13P2112</td> <td>1 1/2"</td> <td>£ 39.00</td> </tr> <tr> <td>13P2015</td> <td>13P2115</td> <td>1 1/2"</td> <td>£ 50.00</td> </tr> <tr> <td>13P2020</td> <td>13P2120</td> <td>2"</td> <td>£ 64.00</td> </tr> <tr> <td>13P2030</td> <td>-</td> <td>3"</td> <td>£ 374.00</td> </tr> <tr> <td>13P2040</td> <td>-</td> <td>4"</td> <td>£ 739.00</td> </tr> </tbody> </table>				Plain Sockets	BSP Socket	Size	Price	13P2005	13P2105	1/2"	£ 21.00	13P2007	13P2107	3/4"	£ 24.00	13P2010	13P2110	1"	£ 29.00	13P2012	13P2112	1 1/2"	£ 39.00	13P2015	13P2115	1 1/2"	£ 50.00	13P2020	13P2120	2"	£ 64.00	13P2030	-	3"	£ 374.00	13P2040	-	4"	£ 739.00	<table border="1"> <thead> <tr> <th>Ref:</th> <th>Size</th> <th>Flow Max</th> <th>Wt gms</th> <th>Lgth mm</th> <th>Price</th> </tr> </thead> <tbody> <tr> <td>13P3307</td> <td>3/4" BSP</td> <td>TBA</td> <td>116</td> <td>78</td> <td>£ 9.24</td> </tr> <tr> <td>16P3310</td> <td>1" BSP</td> <td>TBA</td> <td>130</td> <td>82</td> <td>£ 9.75</td> </tr> </tbody> </table>						Ref:	Size	Flow Max	Wt gms	Lgth mm	Price	13P3307	3/4" BSP	TBA	116	78	£ 9.24	16P3310	1" BSP	TBA	130	82	£ 9.75											
Plain Sockets	BSP Socket	Size	Price																																																																												
13P2005	13P2105	1/2"	£ 21.00																																																																												
13P2007	13P2107	3/4"	£ 24.00																																																																												
13P2010	13P2110	1"	£ 29.00																																																																												
13P2012	13P2112	1 1/2"	£ 39.00																																																																												
13P2015	13P2115	1 1/2"	£ 50.00																																																																												
13P2020	13P2120	2"	£ 64.00																																																																												
13P2030	-	3"	£ 374.00																																																																												
13P2040	-	4"	£ 739.00																																																																												
Ref:	Size	Flow Max	Wt gms	Lgth mm	Price																																																																										
13P3307	3/4" BSP	TBA	116	78	£ 9.24																																																																										
16P3310	1" BSP	TBA	130	82	£ 9.75																																																																										
									<table border="1"> <thead> <tr> <th colspan="6">Globe (PP)</th> </tr> <tr> <th>Ref:</th> <th>Size</th> <th>Flow Max</th> <th>Wt gms</th> <th>Lgth mm</th> <th>Price</th> </tr> </thead> <tbody> <tr> <td>13P3307</td> <td>3/4" BSP</td> <td>TBA</td> <td>116</td> <td>78</td> <td>£ 9.24</td> </tr> <tr> <td>16P3310</td> <td>1" BSP</td> <td>TBA</td> <td>130</td> <td>82</td> <td>£ 9.75</td> </tr> </tbody> </table>						Globe (PP)						Ref:	Size	Flow Max	Wt gms	Lgth mm	Price	13P3307	3/4" BSP	TBA	116	78	£ 9.24	16P3310	1" BSP	TBA	130	82	£ 9.75																																									
Globe (PP)																																																																															
Ref:	Size	Flow Max	Wt gms	Lgth mm	Price																																																																										
13P3307	3/4" BSP	TBA	116	78	£ 9.24																																																																										
16P3310	1" BSP	TBA	130	82	£ 9.75																																																																										
<table border="1"> <thead> <tr> <th>Ref</th> <th>Size BSP</th> <th>Wt gms</th> <th>Length mm</th> <th>Price</th> </tr> </thead> <tbody> <tr> <td>13P30405</td> <td>1/2"</td> <td>140</td> <td>134</td> <td>£ 10.52</td> </tr> <tr> <td>13P30407</td> <td>3/4"</td> <td>192</td> <td>151</td> <td>£ 11.55</td> </tr> <tr> <td>13P30410</td> <td>1"</td> <td>292</td> <td>170</td> <td>£ 14.75</td> </tr> <tr> <td>13P30412</td> <td>1.25"</td> <td>478</td> <td>200</td> <td>£ 38.49</td> </tr> <tr> <td>13P30415</td> <td>1.5"</td> <td>734</td> <td>225</td> <td>£ 43.62</td> </tr> <tr> <td>13P30420</td> <td>2"</td> <td>1200</td> <td>254</td> <td>£ 53.89</td> </tr> </tbody> </table>					Ref	Size BSP	Wt gms	Length mm	Price	13P30405	1/2"	140	134	£ 10.52	13P30407	3/4"	192	151	£ 11.55	13P30410	1"	292	170	£ 14.75	13P30412	1.25"	478	200	£ 38.49	13P30415	1.5"	734	225	£ 43.62	13P30420	2"	1200	254	£ 53.89					<table border="1"> <thead> <tr> <th colspan="6">Needle Valve in PVC</th> </tr> <tr> <th>Ref:</th> <th>Size</th> <th>Flow Max</th> <th>Wt gms</th> <th>Lgth mm</th> <th>Price</th> </tr> </thead> <tbody> <tr> <td>13P1302</td> <td>1/4" NPT</td> <td>16l/min</td> <td>59</td> <td>64</td> <td>£ 38.49</td> </tr> <tr> <td>13P1307</td> <td>3/8" NPT</td> <td>23l/min</td> <td>14</td> <td>64</td> <td>£ 39.77</td> </tr> <tr> <td>13P1305</td> <td>1/2" NPT</td> <td>23l/min</td> <td>14</td> <td>64</td> <td>£ 41.06</td> </tr> </tbody> </table>						Needle Valve in PVC						Ref:	Size	Flow Max	Wt gms	Lgth mm	Price	13P1302	1/4" NPT	16l/min	59	64	£ 38.49	13P1307	3/8" NPT	23l/min	14	64	£ 39.77	13P1305	1/2" NPT	23l/min	14	64	£ 41.06
Ref	Size BSP	Wt gms	Length mm	Price																																																																											
13P30405	1/2"	140	134	£ 10.52																																																																											
13P30407	3/4"	192	151	£ 11.55																																																																											
13P30410	1"	292	170	£ 14.75																																																																											
13P30412	1.25"	478	200	£ 38.49																																																																											
13P30415	1.5"	734	225	£ 43.62																																																																											
13P30420	2"	1200	254	£ 53.89																																																																											
Needle Valve in PVC																																																																															
Ref:	Size	Flow Max	Wt gms	Lgth mm	Price																																																																										
13P1302	1/4" NPT	16l/min	59	64	£ 38.49																																																																										
13P1307	3/8" NPT	23l/min	14	64	£ 39.77																																																																										
13P1305	1/2" NPT	23l/min	14	64	£ 41.06																																																																										

WATER METER VALVE					MINI POM VALVE			WATER METER																																																																																																																												
																																																																																																																																				
													Material ----- Yellow Nylon / Brass Seals ----- Nitrile Pressure ----- 0.5 to 6 Bars Temperature -- 0°C to 60°C Gears ----- ACETAL Resin Metal Parts --- Stainless					Size -- 1/4" BSP MF Body -- Hexagon Ball Valve Material - Black POM + Buna Pressure - to 8 Bars Weight -- 27 gms BSP length - 10mm Length * L -- 49mm Height *H* - 45mm			Material ----- Painted Brass / C.I. Seals ----- Nitrile * = B89-31707 Pressure ----- 0 to 16 Bars Temperature -- 0°C to 45°C Magnetic Drive Multi Jet Principle Numeric scale + dials down to .001 cu M.																																																																																																															
<table border="1"> <thead> <tr> <th>Ref</th> <th>Size</th> <th>Range</th> <th>Price</th> <th>Mat</th> </tr> </thead> <tbody> <tr> <td>13M6107</td> <td>3/4" M</td> <td>0 to 2m³</td> <td>£38.50</td> <td>N</td> </tr> <tr> <td>13M6107b</td> <td>3/4" M</td> <td>0 to 10m³</td> <td>£38.50</td> <td>N</td> </tr> <tr> <td>13M6110</td> <td>1" M</td> <td>0 to 1m³</td> <td>£66.20</td> <td>B</td> </tr> <tr> <td>13M6110b</td> <td>1" M</td> <td>0 to 3m³</td> <td>£66.20</td> <td>B</td> </tr> <tr> <td>13M6110c</td> <td>1" M</td> <td>0 to 10m³</td> <td>£66.20</td> <td>B</td> </tr> <tr> <td>13M6110d</td> <td>1"</td> <td>0 to 50m³</td> <td>£66.20</td> <td>B</td> </tr> <tr> <td>13M6015</td> <td>1 1/2"</td> <td>0 to 10m³</td> <td>£239.90</td> <td>B</td> </tr> <tr> <td>13M6115b</td> <td>1 1/2"</td> <td>0 to 50m³</td> <td>£239.90</td> <td>B</td> </tr> <tr> <td>13M6115c</td> <td>1 1/2"</td> <td>0 to 100m³</td> <td>£239.90</td> <td>B</td> </tr> <tr> <td>13M6120</td> <td>2"</td> <td>0 to 40m³</td> <td>£289.40</td> <td>B</td> </tr> <tr> <td>13M6120b</td> <td>2"</td> <td>0 to 100m³</td> <td>£289.40</td> <td>B</td> </tr> <tr> <td>13M6120c</td> <td>2"</td> <td>0 to 400m³</td> <td>£289.40</td> <td>B</td> </tr> </tbody> </table>					Ref	Size	Range	Price	Mat	13M6107	3/4" M	0 to 2m³	£38.50	N	13M6107b	3/4" M	0 to 10m³	£38.50	N	13M6110	1" M	0 to 1m³	£66.20	B	13M6110b	1" M	0 to 3m³	£66.20	B	13M6110c	1" M	0 to 10m³	£66.20	B	13M6110d	1"	0 to 50m³	£66.20	B	13M6015	1 1/2"	0 to 10m³	£239.90	B	13M6115b	1 1/2"	0 to 50m³	£239.90	B	13M6115c	1 1/2"	0 to 100m³	£239.90	B	13M6120	2"	0 to 40m³	£289.40	B	13M6120b	2"	0 to 100m³	£289.40	B	13M6120c	2"	0 to 400m³	£289.40	B	<p style="text-align: center;">Ref: 13P7002 Price £ 4.75</p>			<table border="1"> <thead> <tr> <th>Ref</th> <th>Size</th> <th>m³ / Hour Min</th> <th>m³ / Hour Max</th> <th>Price</th> </tr> </thead> <tbody> <tr> <td>13M6005</td> <td>*1/2" M</td> <td>2.5m³</td> <td>5m³</td> <td>£ 22.00</td> </tr> <tr> <td>13M6007</td> <td>*3/4" M</td> <td>2.5m³</td> <td>5m³</td> <td>£ 49.10</td> </tr> <tr> <td>13M6010</td> <td>1" MBSP</td> <td>5m³</td> <td>10m³</td> <td>£ 80.00</td> </tr> <tr> <td>13M6012</td> <td>1 1/2" BSP</td> <td>6m³</td> <td>12m³</td> <td>£ 93.00</td> </tr> <tr> <td>13M6015</td> <td>1 1/2" BSP</td> <td>10m³</td> <td>20m³</td> <td>£ 176.80</td> </tr> <tr> <td>13M6020</td> <td>2" BSP</td> <td>15m³</td> <td>30m³</td> <td>£ 232.80</td> </tr> <tr> <td>13M6030</td> <td>3" Flg</td> <td>1.2m³</td> <td>80m³</td> <td>£ 534.55</td> </tr> <tr> <td>13M6040</td> <td>4" Flg</td> <td>1.8m³</td> <td>120m³</td> <td>£ 641.45</td> </tr> <tr> <td>13M6060</td> <td>6" Flg</td> <td>4.5m³</td> <td>300m³</td> <td>£ 855.27</td> </tr> <tr> <td>13M6080</td> <td>8" Flg</td> <td>7.5m³</td> <td>500m³</td> <td>£ 1,435.64</td> </tr> </tbody> </table>					Ref	Size	m³ / Hour Min	m³ / Hour Max	Price	13M6005	*1/2" M	2.5m³	5m³	£ 22.00	13M6007	*3/4" M	2.5m³	5m³	£ 49.10	13M6010	1" MBSP	5m³	10m³	£ 80.00	13M6012	1 1/2" BSP	6m³	12m³	£ 93.00	13M6015	1 1/2" BSP	10m³	20m³	£ 176.80	13M6020	2" BSP	15m³	30m³	£ 232.80	13M6030	3" Flg	1.2m³	80m³	£ 534.55	13M6040	4" Flg	1.8m³	120m³	£ 641.45	13M6060	6" Flg	4.5m³	300m³	£ 855.27	13M6080	8" Flg	7.5m³	500m³	£ 1,435.64
Ref	Size	Range	Price	Mat																																																																																																																																
13M6107	3/4" M	0 to 2m³	£38.50	N																																																																																																																																
13M6107b	3/4" M	0 to 10m³	£38.50	N																																																																																																																																
13M6110	1" M	0 to 1m³	£66.20	B																																																																																																																																
13M6110b	1" M	0 to 3m³	£66.20	B																																																																																																																																
13M6110c	1" M	0 to 10m³	£66.20	B																																																																																																																																
13M6110d	1"	0 to 50m³	£66.20	B																																																																																																																																
13M6015	1 1/2"	0 to 10m³	£239.90	B																																																																																																																																
13M6115b	1 1/2"	0 to 50m³	£239.90	B																																																																																																																																
13M6115c	1 1/2"	0 to 100m³	£239.90	B																																																																																																																																
13M6120	2"	0 to 40m³	£289.40	B																																																																																																																																
13M6120b	2"	0 to 100m³	£289.40	B																																																																																																																																
13M6120c	2"	0 to 400m³	£289.40	B																																																																																																																																
Ref	Size	m³ / Hour Min	m³ / Hour Max	Price																																																																																																																																
13M6005	*1/2" M	2.5m³	5m³	£ 22.00																																																																																																																																
13M6007	*3/4" M	2.5m³	5m³	£ 49.10																																																																																																																																
13M6010	1" MBSP	5m³	10m³	£ 80.00																																																																																																																																
13M6012	1 1/2" BSP	6m³	12m³	£ 93.00																																																																																																																																
13M6015	1 1/2" BSP	10m³	20m³	£ 176.80																																																																																																																																
13M6020	2" BSP	15m³	30m³	£ 232.80																																																																																																																																
13M6030	3" Flg	1.2m³	80m³	£ 534.55																																																																																																																																
13M6040	4" Flg	1.8m³	120m³	£ 641.45																																																																																																																																
13M6060	6" Flg	4.5m³	300m³	£ 855.27																																																																																																																																
13M6080	8" Flg	7.5m³	500m³	£ 1,435.64																																																																																																																																
Applications: Self closing flow of water by adjustable dial up to valves in table. Between 30 to 50 dial graduations. Where very accurate measurement is required a choice of other equipment is recommended.					<p style="text-align: center;">Volume Conversion Table</p> <p style="text-align: center;">1 m³ = 1000 Litres 4.54 Litres = 1 Gallons 225 Gallons = 1 m³</p>			Figs=PN16. Versions available: hot water Recommended maximum flow per month:- Sizes: 1/2" & 3/4" to 250m³ 1" & 1 1/4" to 370 m³ 1 1/2" & 2" to 2,000 m³ 3" to 3,000 m³ RESETTABLE TYPE 1" :- This can be supplied if required. Type FR price is £160.00																																																																																																																												
					NB: All above products except 'PVC' gate valves are generally to be used for water only. Ask EvE for advice. Electronics also.																																																																																																																															