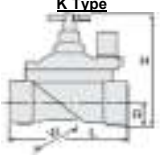






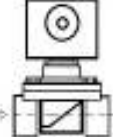
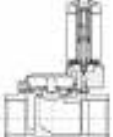
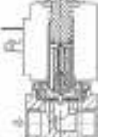




**Everyvalve LTD**  
**Solenoid Valves**  
Page 15

Plastic Valve 'K' Type (Servo) N. Closed				Plastic Valve PPS Direct Type BSPm (N.Close) (D132, D332, D144, D344)																																	
Cheap Valve for Clean Water Only N. Closed.				Chemical Direct Acting Type - 1/2" (1/4" 2 & 3 way also)																																	
<b>Application</b> Suitable for <u>water and irrigation</u> Not good for other liquids at all.				<b>Applications</b> Suitable for aggressive chemicals based on reliable simple design.																																	
<b>Specification</b> Pressure : 0.3 min - 8.0 max Bars. Voltage : 12v DC, 24v AC, 240v AC, 110v AC. Body : FR Nylon 66, SS Plunger. Terminations: Flying Leads 30cm long. Ends : BSP female threaded. Diaphragm : Natural Rubber. Temperature: 30°C maximum. Flow control on central screw + M,Ove Black Nylon / PVC composite body.				<b>Specification</b> Pressure : 0 - 1.6 Bar & 65°C. Voltages : 12v DC, 24v AC, 240v AC, 110v AC. Current : 20v A Approx. 36v A Inrush. Terminations : IP65 Plug type MPM182. Ends : BSP male threaded. Seals : FPM Standard. Body : D132 - D332 PPS (Polyphenylene Sulphide) : D144 - D344 PEI (Polyetherimide) : (Weight 420 grams).																																	
																																					
<table border="1"> <thead> <tr> <th>Size</th> <th>3/4"</th> <th>1"</th> <th>1.1/2"</th> <th>2"</th> </tr> </thead> <tbody> <tr> <td>Length (mm)</td> <td>110</td> <td>110</td> <td>160</td> <td>170</td> </tr> <tr> <td>H (mm)</td> <td>114</td> <td>114</td> <td>181</td> <td>191</td> </tr> <tr> <td>R (mm)</td> <td>22</td> <td>22</td> <td>35</td> <td>38</td> </tr> <tr> <td>W (mm)</td> <td>78</td> <td>78</td> <td>125</td> <td>125</td> </tr> <tr> <td>Weight (g)</td> <td>346</td> <td>346</td> <td>990</td> <td>1080</td> </tr> </tbody> </table>				Size	3/4"	1"	1.1/2"	2"	Length (mm)	110	110	160	170	H (mm)	114	114	181	191	R (mm)	22	22	35	38	W (mm)	78	78	125	125	Weight (g)	346	346	990	1080				
Size	3/4"	1"	1.1/2"	2"																																	
Length (mm)	110	110	160	170																																	
H (mm)	114	114	181	191																																	
R (mm)	22	22	35	38																																	
W (mm)	78	78	125	125																																	
Weight (g)	346	346	990	1080																																	
<b>Ref:15PK Size</b>	<b>Length</b>	<b>Price</b>		<b>Ref:</b>	<b>Size</b>	<b>Ways</b>	<b>Bore</b>	<b>Press</b>	<b>Kv</b>	<b>VaH</b>	<b>Price</b>																										
		12VDC,24AC/DC	240 /110 AC																																		
3/4"	112mm	£27.90*	£37.76*	15P132	1/2"BSP(M)	2	8mm	1.6 Bar	2	24	£70.93																										
1"	112mm	£29.11*	£38.90*	15P332	1/2"BSP(M)*	3	8mm	0.8 Bar	1.4	24	£84.09																										
1.5"	165mm	£72.77*	£80.08*	15P144	1/4"BSP(M)*	2	3mm	1.5 Bar	0.3	14	£59.49																										
2"	175mm	£80.04*	£86.95*	15P344	1/4"BSP(M)*	3	3mm	1.5 Bar	0.3	14	£70.54																										
3" (24v AC ONLY)	225mm	£266.79*	-	For unidirectional use only. Clean fluids only to be used.																																	
£10.00 Extra for 110v / 240v. Spare coils - £16.00 each. Spare MPM Connector £1.50 <b>N. Open version 1.5" &amp; 2" = £93.50 (326)</b>				Manual Override in design. 1/2" = Body Length = 68mm. PPO = Polyphenylene Oxide. *For unidirectional use only. Clean fluids only to be used.																																	
<b>Power : 24v AC = 0.2A(0.4Inr) 12v DC = 0.5A*6.5w</b> <b>240v AC = 0.35 Inr. 24v DC = 0.3A*6.7w</b>				<b>Power</b> 240v AC, 110v AC must be earthed																																	

Nylon Washing Machine Solenoid Valve				
For water use only. Pressure 0.2 - 10 Bar. Servo OEM Design In Line Spade Terminal 6.35 mm. BSP M. Beige - 240v AC 6 w - 7.7 v A Yellow - 24v AC 2.2 w - 4.6v A				<b>24302</b>  <a href="#">DATA SHEET</a>
<b>Ref:</b>	<b>Inlet BSPM</b>	<b>x Outlet</b>		<b>Price</b>
15PV907	3/4"	13mm SINGLE HOSE	Single Solenoid Valve	£13.11
15PV917	3/4"	13mm DOUBLE HOSE	Double Solenoid Valve	£14.45
15M24302-03	3/8"	3/8" BSPM	Single Solenoid Valve	£ 11.88 (O.E.M. QTY Supply Product)
15M24302-05	1/2"	1/2" BSPM	Single Solenoid Valve	£ 11.88 (O.E.M. QTY Supply Product)
15M24302-07	3/4"	3/4" BSPM	Single Solenoid Valve	£ 11.88 (O.E.M. QTY Supply Product)

METAL VERSIONS (BRASS & SS) EARTHING - This must be done always with dangerous voltages.						
<b>Application</b> Strainers must be used where there is any grit or dirt into the service. FPM seals & volts DC will reduce pressures. <b>L180 is now L182</b> / L280: Water, Air, Oil (subject to seals). 2 / 2 way Aggressive Chemicals - Don't Use L316: Clean liquid use. Explosion types on special request. L178 / L127: Suitable to shut off liquid and gaseous fluids*. L133 / L377 / L113 / L153: Not suitable for use with dangerous fluids. they are free from CE marking in conformity with article 3 § 3 of the European Directive 97/23/EC (Pressure Equipment Directive)*. * (verify the compatibility of fluid with material in contact). MPM Size = ( 122 to 1") ( 182 to 1.14" )						
<b>Specification</b> Body : Brass (SS - see type 316). Terminations : IP65 MPM (DIN Connector) Free MPM Supplied. Voltage : 12v DC, 24v AC, 240v AC, 110v AC. Spare Coil £19.45				<b>Ends</b> : BSP female threaded. <b>Seal</b> : Nitrile Std ( FPM Special ). <b>Temperature</b> : Std. Buna < 85 C, FPM < 125 C. <b>Pressure</b> : Servo 0.3 min - 10.0 max Bars. (bars) (w.n.s)		
						
BSP F	Servo Normally Close	Servo N. Close	Servo Normally Open	Direct Acting N. Close	Direct Acting N.C Exhausting	LOW PRESSURE

Pressure Bar	0.3 - 10			0.5 - 12	0.3 - 10	See Table Below	0 - 8	0 - 3
Body	Brass + Buna			SS 316 + EPDM	Brass + Buna	Brass + Buna	Brass + Buna	Brass + Buna
Size	Ref : 15ML180..(L182)			Ref : 15ML316.	Ref : 15ML280..	Ref : 15M..	Ref : 15M..	Ref : 15ML113..
1/8"	0	Leng	xKv	0	0	TBA L178	£26.62 L377	0
1/4"	0	<mm	0	£87.28 (D) *	0	£28.03 L121	£34.32 L336B12	0
3/8"	£39.42	53	1.7	£129.11 (D)	£51.10	£43.48 L133a	0	0
1/2"	£42.59	56	2.1	£130.26	£51.13	£46.34 L133b	0	£86.95
3/4"	£56.95	74	5	£148.36	£67.31	£62.70 L133c	0	£97.24
1"	£84.83	99	11	£173.69	£88.49	£95.70 L133d	0	0
1.25"	£143.31	113	15	£249.67	£177.76	0	0	0
1.5"	£174.54	140	27	£307.56	£203.35	0	0	0
2"	£215.02	145	34	£398.01	£236.48	0	0	0
3"	£509.08	250	83	TBA	TBA	0	0	0
Important information				(D) = Direct Acting 0 - 10 Bars		Brass Body + BSP Pressure see Orifice Size: L178 - 2mm - 0-15 Bar L121 - 3mm - 0-10 Bar L133a - 10mm - 0-10 Bar L133b - 12mm - 0-10 Bar L133c - 17mm - 0-10 Bar L133d - 22 mm - 0-10 Bar DC = 30% Pressure	Brass Body + BSP Pressure see Orifice Size: 1/8" BSP = 1.6 mm 1/4" BSP = 2.3 mm Pressure = 8 Bar For S.A. Cylinds / Actuators. MPM 122	Brass Body + BSP Pressure see Orifice Size: 1/2" BSP = 12 mm 3/4" BSP = 19 mm

**Steam Solenoid Valve (L145)**

**Application:** Suitable to shut off liquid and gaseous fluids; particularly suitable to shut off overheated water and steam (verify the compatibility of fluid with materials in contact).

**Specification**

Body : Brass.  
Pressure : 0.3 min - 8 max Bars. (bars)  
Voltage : 12v DC, 24v AC, 240v AC, 110v AC.

Ends : BSP female threaded.  
Seal : Reinforced PTFE (Polytetrafluorethylene).  
Temperature: -10°C to + 80°C



Size	Ref:	Length	KV	Bore	Pressure	AC	Gms	Price
3/8"	15M145..	80 mm	2	10mm	8 Bar	V	36	£75.51
1/2"	15M145..	85 mm	2	10mm	8 Bar	V	39	£75.51
3/4"	15M145..	79 mm	6	16mm	8 Bar	V	58	£97.24
1"	15M145..	105 mm	9	18mm	8 Bar	V	131	£130.42

PTFE dia. min press 0.4 bar Max 170°C. (L153 140°C types also) Only AC voltages. 5/2 Way Type 1/4" BSPf All Voltages £52.80.

**State pressure always.**

PLEASE NOTE : Prices subject to change without prior notice.