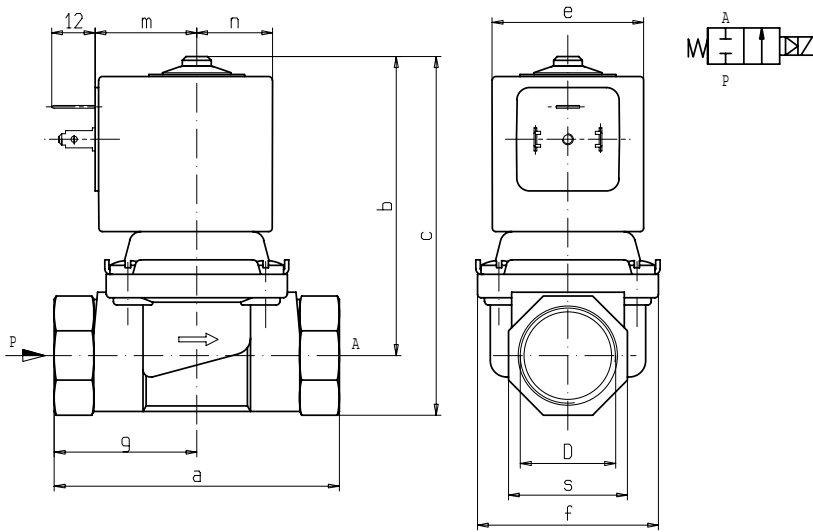




**SOLENOID VALVE**  
**2/2 - NC (Normally closed)**  
**Pilot operated hung diaphragm**  
**G3/8 ÷ 1**

**L133**



D	a	b	c	e	f	m	n	s	g
G 3/8	60	69	80	30	41	21,6	19,9	22	25,5
G 1/2	66	74,5	90	42	41	28	21	27	-
G 3/4	79	81	98	42	51	28	21	33	-
G 1	105	100	121	48,6	71	35	24,3	42	46

► **GENERAL FEATURES**

Pilot operated hung diaphragm valve with full orifice.  
 Designed for closed circuit hydraulic systems and for vessels draining.  
 Suitable to shut off liquid and gaseous fluids (verify the compatibility of fluid with materials in contact).

► **TECHNICAL FEATURES**

Maximum allowable pressure (PS) 16 bar  
 Opening time from ~100ms to ~150ms  
 Closing time from ~100ms to ~400ms  
 Fluid temperature -10°C +90°C (NBR)  
 0°C +130°C (FPM)  
 Max viscosity 5°E (~37 cStokes or mm²/s)

► **MATERIALS IN CONTACT WITH FLUID**

Body Brass  
 Sealing NBR or FPM  
 Internal components Stainless steel and brass  
 Seat Brass  
 Core tube Stainless steel  
 Shading coil Copper

► **COIL**

Continuous duty ED 100%  
 Encapsulation material PET (polyethylene terephthalate) fiberglass reinforced  
 Insulation class F (140 °C) on request class H (165°C) - UL  
 ZA only: F (155 °C) on request class H (180°C) - UL  
 Ambient temperature -10 C° +60 °C  
 ZA only: -10 C° +50°C  
 Electric connenctions DIN 46340- 3 poles connectors (DIN 43650)  
 Protection degree IP 65 (EN 60529) with plug connector  
 Voltages DC 12-24V (+10% -5%)  
 AC 24V/50Hz - 110V/50Hz (120V/60Hz) - 230V/50Hz  
 (+10% -15%)  
 (Other voltages and frequencies on request).

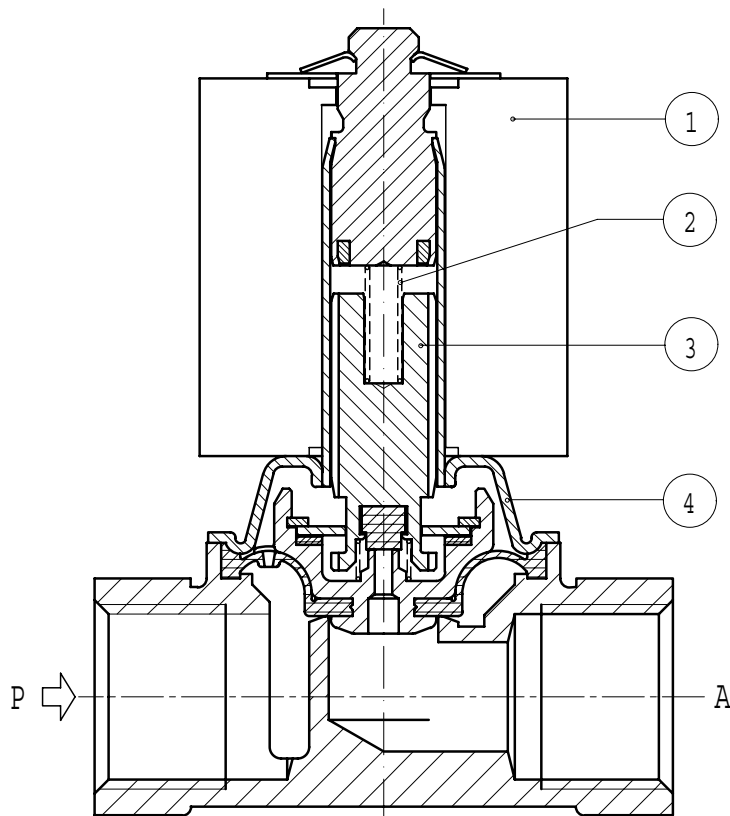
Port size ISO 228	Orifice size (mm)	Differential pressure (bar)				Kv (m³/h)	Series and type		Power absorption			Sealings	Notes	Weight (kg)														
		Δp min	Δp max		Valve		Coil	AC (VA)		c.c. (W)																		
			Gas	Liquids				Inrush	Holding																			
			c.a.	c.c.	c.a.	c.c.																						
G 3/8	10	0	10	3	10	3	1,5	L133B10	ZA30A	23	14	9	1	NBR	0,440													
	L133V10																											
G 1/2	12,5						2,1	10	3					10		3	L133B07	Z130A	44	24	13	-	NBR	0,620				
	L133V07																											
G 3/4	17			4,5		10											-						10		-	L133B07	Z923E	65
	L133V07																											
	L133B06																											
G 1	24		9	10	-	10	-	L133V06	Z923A	-	-	17	-	FPM	1,810													
								L133B06																				
								L133V06																				

► **NOTES**

- Sealings : NBR = Nitrile-butylene elastomer FPM = Fluoro-carbon elastomer  
 The nominal flow is guaranteed with Δp min ≥ 0,3 bar. Contact us in case of lower Δp min values.  
 1 - The valves fitted with 50Hz coil can operate at 60 Hz but in this case the Δp max corresponds to the nominal value less 20%.

# L133

## ► SPARE PARTS



Kit description		Kit P.N.	Consisting of:
Core diaphragms kit	G 3/8 L133V10 G 3/8 L133B10 G 1/2 L133V07 G 1/2 L133B07 G 3/4 L133V07 G 3/4 L133B07 G 1 L133V06 G 1 L133B06	G3104302 G3104301 G2990102 G2990101 G2990202 G2990201 G2991902 G2991901	Core return spring pos.2 Diaphragm assembly with core assembly pos.3
Core return spring kit	G 3/8 L133B-V10 G 1/2 L133B-V07 G 3/4 L133B-V07 G 1 L133B-V06	G3103701 G2139901 G2918601 G2955801	n°10 core return springs pos. 2
Guide assembly	G 3/8 L133B-V10 G 1/2 L133B-V07 G 3/4 L133B-V07 G 1 L133B-V06	3104101R 3077801R 3077701R 2408202R	Guide assembly pos. 4
Coil	L133B-V10 L133B-V07 L133B-V06 (DC) L133B-V06 (AC)	ZA30A Z130A Z923A Z923E	Coil pos. 1

## ► INSTALLATION

Solenoid valve can be mounted in any position; vertical with coil upwards preferred.