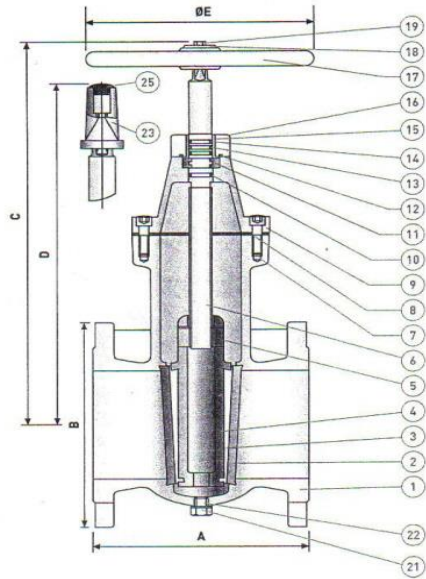


DUCTILE IRON GATE VALVES FOR WATER SERVICES



ACCESSORIES

Stem Cap / Handwheel	Extension Spindle / T Key
Position Indicator	Gearbox
Locking Device	By-pass
ISO Mounting Flange	Chainwheel

MATERIAL SPECIFICATION

Item	Item Name	Material	Specification
1	Body	Ductile Iron	BS EN 1563 Gr 500/7
2	Body Seat Ring	Copper Alloy	BS EN 1982
3	Wedge Seat Ring	Copper Alloy	BS EN 1982
4	Wedge	Ductile Iron	BS EN 1563 Gr 500/7
5	Stem Nut	Copper Alloy	BS EN 1982
6	Stem	Stainless Steel	BS EN 10088
7	Bolt	BZP Steel	BS 3692 Gr 8.8
8	Body Gasket	EPDM	-
9	Bonnet	Ductile Iron	BS EN 1563 Gr 500/7
10	'O' Ring	EPDM	BS 4518
11	Thrust Collar	Copper Alloy	BS EN 1982
12	'O' Ring	EPDM	BS 4518
13	'O' Ring	EPDM	BS 4518
14	Dust Seal	EPDM	-
15	Bush	Copper Alloy	BS EN 1982
16	Seal Housing	Ductile Iron	BS EN 1563 Gr 500/7
17	Handwheel	Ductile Iron	BS EN 1563 Gr 500/7
18	Washer	Stainless Steel	BS EN 10088
19	Bolt	Stainless Steel	BS EN 10088
20*	Sealing Housing Bolt	BZP Steel	BS 3692 Gr 8.8
21	Drain Plug	Stainless Steel	BS EN 10088
22	Gasket	PTFE	-
23	Stem Cap	Ductile Iron	BS EN 1563 Gr 500/7
24*	Stem Cap Bolt	Stainless Steel	BS EN 10088
25	Grommet	EPDM	-

*Seal Housing Bolts and Stem Cap Bolt not shown.

DIMENSIONS

DN	A	B	C	D	E	Approximate Weight (Kg)	
						Handwheel	Stem Cap
50	178	165	282	312	180	23	21
65	190	185	313	343	180	24	22
80	203	200	398	428	205	26	24
100	229	220	424	454	205	31	29
150	267	285	525	556	280	58	55
200	292	340	638	668	320	87	82
250	330	405	740	770	360	131	125
300	356	460	840	870	450	186	177

Larger sizes available upon request. Dimensions in mm.

TECHNICAL SPECIFICATION

Standard:	BS 5163 1986 Type 'B'
Range:	DN50 - DN300
Flanges & Drillings:	BS EN 1092-2 1987 Table 9 (PN16)
Alternatives:	BS EN 1092-2 1987 Table 8 (PN10) BS10 Table D or E
Maximum Working Pressure:	16 Bar
Hydrostatic Pressure Tests:	Seat: 1.1 x PN (17.6 Bar) Body: 1.5 x PN (24.0 Bar)
Temperature Range:	-10°C to 70°C Insulate at 0°C and below
Coating:	Blue fusion bonded epoxy (WRAS listed)

Material	Ductile Iron <u>Body Metal Seat Valve Gate Valve (WRAS Approved)</u>													
Size	50mm	65mm	80mm	100mm	125mm	150mm	200mm	250mm	300mm	350mm	400mm	450mm	500m	600mm
Price Each	£143.00	£151.00	£165.00	£186.00	£291.00	£299.00	£490.00	£695.00	£880.00	£1,880.00	£2,445.00	£3,556.00	£4,145.00	£5,586.00
Ref	20M300020	20M300025	20M300030	20M300040	20M300050	20M300060	20M300080	20M300081	20M300082	20M300083	20M300084	20M300085	20M300086	20M300087
Weight	23 Kg	24 Kg	26 Kg	31 Kg	48 Kg	58 Kg	87 Kg	131 Kg	186 Kg	235 Kg	300 Kg	385 Kg	495 Kg	725 Kg
Material	Ductile Iron <u>Body Resilient Seated Wedge Gate Valve (WRAS Approved) Up to 12"</u>													
Size	50mm	65mm	80mm	100mm	125mm	150mm	200mm	250mm	300mm	350mm	400mm	450mm	500m	600mm
Price Each	£105.00	£115.00	£125.00	£150.00	£190.00	£210.00	£305.00	£495.00	£650.00	TBA	TBA	TBA	TBA	TBA
Ref	20MRS20	20MRS25	20MRS30	20MRS40	20MRS50	20MRS60	20MRS80	20MRS81	20MRS82	20MRS83	20MRS84	20MRS85	20MRS86	20MRS87
Weight	12 Kg	15 Kg	20 Kg	24 Kg	41 Kg	48 Kg	60 Kg	90 Kg	130 Kg	-	-	-	-	-

Accessories: TEE KEYS - EXTENSION SPINDLES - WALL BRACKETS - LOCKING DEVICES - ACTUATION - BEVEL GEARS-- 1.5 Metre Long Tee Keys £ 100.00 each

Notes:-

PLEASE NOTE : Prices subject to change without prior notice.

updated: 01/10/2016