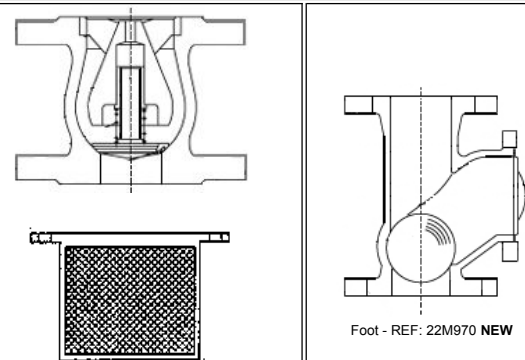


Everyvalve LTD
CHECK VALVES
PAGE 22

C.I. SPRING CHECK/BALL CHECK



Foot - REF: 22M970 NEW

[Data Sheet](#)

(Can be used as a foot valve and strainer)

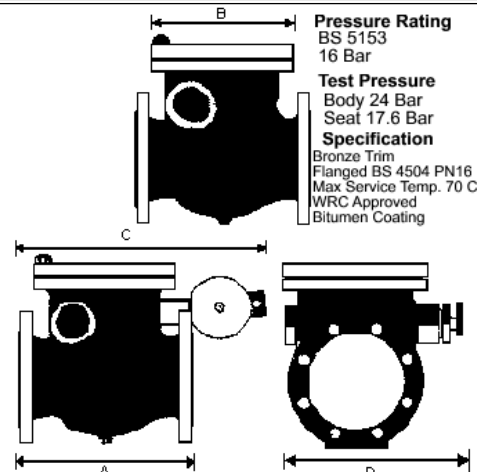
REF : 22M973 NEW

SPEC: Type 973 PN16 Flgd Spring Check in S.G. Iron
Buna seal. Valve & Strainer also complete as shown above
Type 970 is Ball Check valve Flgd PNP10, SGI Epoxy Coated body. (Blue)

mm Size Bore	REF: 22M973 + FS			REF: 22M970				
	FF mm	£ Each Valve	Wt Kg	£ each complete	Flge O.D.	Hgt mm	Wt Kg	£ Each
40	-	-	-	-	-	-	-	-
50	100	£93.00	6	£130.00	95	180	9	£109.00
65	120	£110.00	9	£151.00	95	200	12	£131.00
80	136	£136.00	11	£183.00	114	240	15	£159.00
100	175	£165.00	15	£221.00	128	260	22	£229.00
125	200	£283.00	24	£348.00	160	300	34	£343.00
150	234	£355.00	31	£429.00	200	350	45	£436.00
200	300	£765.00	48	£879.00	230	400	80	£847.00
250	370	£1,098.00	82	£1,222.00	320	135	134	£1,645.00
300	(3" Hose Tail Type = £30)				445	414	200	£2,293.00
350	(4" Hose Tail Type = £40)				505	460	300	£3,650.00
400	(6" Hose Tail Type = £125)				565	-	420	£6,675.00

Type 22M973 - Epoxy Coated with Buna Seal + Galv. Strainer
Larger Foot Valves & Strainers per special order to 600mm

DUCTILE IRON SWING CHECK VALVE



Pressure Rating
BS 5153
16 Bar

Test Pressure
Body 24 Bar
Seat 17.6 Bar

Specification
Bronze Trim
Flanged BS 4504 PN16
Max Service Temp. 70 C
WRC Approved
Bitumen Coating

STANDARD REF : 22M22 LEVER / WT REF: 22M23

SPECIFICATION: NP16 flanged valve with bronze trim for use up to 16 Bars w.n.s. (50mm to 300mm are to BS5153). Gunmetal trim & Epoxy coated Body. (Blue) temp. up to 70°C. Std. Drain Plug fitted * = Non Std.

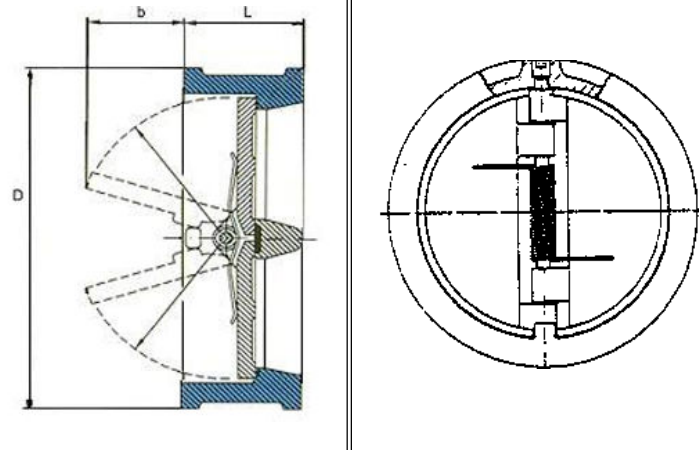
Size Bore	Length A	Head B Dia	Length C (L/W)	Width D	Weight Kg	£ each Standard	£ each Lever/wt
50	203	-	-	165	14	*£118.00	£139.00
65	-	-	-	-	-	-	-
80	241	222	340	275	31	£138.00	£153.00
100	292	236	386	302	41	£174.00	£185.00
125	330	-	-	250	51	-	£331.00
150	356	295	460	365	78	£290.00	£331.00
200	495	375	632	438	149	£635.00	£649.00
250	622	450	796	512	186	£800.00	£860.00
300	698	510	892	543	250	£1,132.00	£1,243.00
350	640	*(PN10)	-	-	-	£2,450.00	£2,500.00
400	695	*(PN10)	-	-	-	£3,577.00	£3,400.00
450	750	615	-	-	-	*(PN10)	-
500	820	768	-	-	-	*	-

AIR VALVES SINGLE / DOUBLE TYPE CAN ALSO BE SUPPLIED TO ORDER

Dual Plate Check Valve

Cast Iron Body (GG25) Epoxy Coated. SS302/4 Spring and Pin. SS 304 Vertical. Wafer fitting between Flanges PN16 to 400mm and PN10 upwards 450mm to 600mm. The Valve must be used with spindle in vertical position on horizontal lines (Valve can be used in vertical lines also.) Seals are Buna. All Dual Plate valves may seep.

Size Bore	F to F m m	Weight Kg	REF : 22M960		22M961
			Outside Dia mm	Cast Iron Price £	SS CF8M Price £
40mm	43	1	94	TBA	TBA
50mm	43	2	109	£42.92	£ 128.00
65mm	46	3	129	£47.12	£157.00
80mm	64	4	144	£53.74	£234.00
100mm	64	5	164	£67.29	£282.00
125mm	70	7	194	£97.51	£423.00
150mm	76	8	220	£106.22	£581.00
200mm	89	16	275	£170.34	£1,061.00
250mm	114	27	330	£275.59	£2,791.00
300mm	114	34	380	£362.39	£3,020.00
350mm	127	53	440	£672.64	TBA
400mm	140	70	491	£894.34	TBA
450mm	152	100	541	£1,794.43	TBA
500mm	152	120	596	£2,008.11	TBA
600mm	152	180	698	£3,441.32	TBA



Larger Sizes also

PLEASE NOTE : Prices subject to change without prior notice.