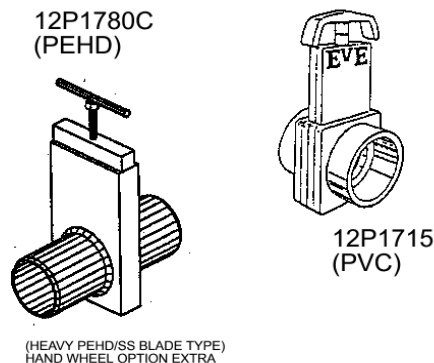


PLASTIC SLIDE GATE VALVES

* Simple Push/Pull Operation - Quick to Operate - Full Clear Bore
 * 'S' Type - Cement sockets, Buna seals with sealed head and spindle
 * 'B' Type - Spigots (Emergency non leak tight version)
 * Lightweight, Compact & Cheap - Pressures - 10 psi max (Largest)
 * Applications for Drainage, Clean Water, fish farms etc..

Data Sheets : [ABS / PVC / PEHD](#)

Ref	Size		Type	Mat	Wt	Length	Price	
	Imp.	mm			Kg	mm(I)	Imp	Metric
12P1715	1.5"	-	S	ABS	0.26	73	£ 13.90	-
12P1715*	-	50	S	PVC	0.26	73	-	£ 13.90
12P1720	2"	-	S	ABS	0.30	79	£ 20.56	-
12P1720M	-	63	S	PVC	0.30	79	-	£ 20.56
12P1730	3"	-	S	ABS	0.57	114	£ 26.85	-
12P1730M	-	90	S	PVC	0.57	114	-	£ 26.85
12P1740	4"	-	*S	PVC	1.80	132	£ 98.94	-
12P1740M	-	110	*S	PVC	1.80	132	-	£ 98.94
12P1760	6"	-	*S	PVC	7.00	283	£ 374.82	-
12P1760M	-	160	*S	PVC	7.00	283	-	£ 374.82
12P1780	8"	200	*S	PVC	10.00	350	£ 512.44	-
12P1779	-	110	B	PEHD	8.00	-	-	£ 200.00
12P1780A	-	125	B	PEHD	9.00	-	-	£ 210.00
12P1780B	-	160	B	PEHD	10.00	388	new	£ 220.00
12P1780C	-	200	B	PEHD	12.00	435	new	£ 260.00
12P1781	-	250	B	PEHD	21.00	510	new	£ 335.00
12P1782	-	315	B	PEHD	31.00	663	new	£ 410.00
12P1783	-	350	B	PEHD	40.00	-	new	£ 737.77
12P1784	H/W	400	B	PEHD	48.00	845	new	£ 1,969.00
12P1785	H/W	500	B	PEHD	68.00	-	new	£ 2600.00
12P1785A	H/W	600	B	PEHD	80.00	-	new	£ 3,900.00

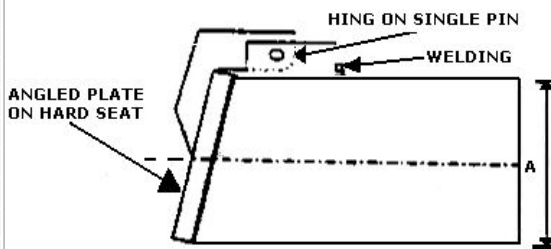


*S = Plain Socket, B = Spigot (Connect with SOCKETS or RUBBER couplers) PEHD = B MM sizes = OD. Pipe Imp for bore (socketed) . PEHD Metric Spigot Type with seals & + **Hand wheel now shown 400mm up to 600mm** (Heavy makeup with SS blade). *(NB = Slide is in SS) 110mm also available spigoted . Avoid Grit/Sludge.

SWING OUTLET VALVES in PVC (2 Hinges)

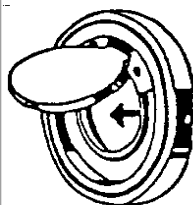
Council Outfall type * Material - PVC(WNS) * Simple Self Acting * Installs Quickly* Full Bore when open * Spigot Ended * Lightweight/Cheap * Use with water only at low pressure Eg. Waste Drainage

Ref	Size	Length	Price	Flgd Ref	Price
12P4340	110mm	500mm	£ 48.76	12P4440	£ 173.21
12P4360	160mm	500mm	£ 60.30	12P4460	£ 198.87
12P4380	200mm	500mm	£ 115.47	12P4480	£ 205.29
12P4381	250mm	500mm	£ 166.80	12P4481	£ 230.95
12P4382	315mm	500mm	£ 205.29	12P4482	£ 295.10
12P4383	350mm	500mm	£ 282.27	12P4483	£ 423.40
12P4384	400mm	500mm	£ 372.08	12P4484	£ 461.89
12P4385	500mm	500mm	£ 557.170	12P4485	£ 506.80



Types SPIGOT / SOCKET Type 110mm (£120) & 160mm (£145). Flanged are for wall of flange mounting

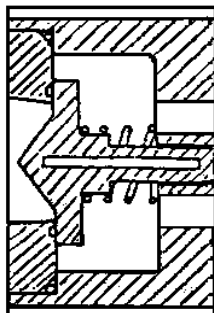
SWING FLAP VALVES (Wafer Type) in PP



Ref	Size	Bore	F/F O.D	Gms	Price	Ref	Size	Bore	F/F O.D.	Gms	Price
12P5020	2"	26mm	19 x 95	140	£ 84.60	12P5060	6"	110mm	19 x 216	590	£ 205.91
12P5025	2.5"	38mm	19 x 111	160	£ 95.72	12P5080	8"	143mm	29 x 253	1476	£ POA
12P5030	3"	42mm	19 x 125	220	£ 112.00	12P5081	10"	191mm	29 x 320	2259	£ POA
12P5040	4"	70mm	19 x 159	340	£ 144.00	12P5082	12"	214mm	29 x 360	2950	£ POA
12P5050	5"	92mm	19 x 180	500	£ 173.63	12P5083	14"	240mm	40 x		£ POA

Components:- Body, Disc, Blade & FPM Seal. (CS/SS Body ring extra). Outside Dias made to suit flange Stds. (F/F=Face to Face in mm. PVC types available + 10% minimum. Encapsulated SS Hinge pins are standard. Full Flow Type '12P24' available 15mm-200mm size for max flow uses.

SPRING CHECK VALVES (Wafer Type) in PP



Non Return Valve for fitting between flanges in plastic pipework only, ay any angle. The SS closure spring can also be in other materials (Hastelloy C) as can 'FPM; soft seat. Sizes to 300mm. Max pressure usable is 10 bars at ambient. Max 90° C. Cracking pressure is 0.02 bar approx. Fits between 4504/BS10 & 1560 flanges. PVC & PVDF available with changed Spec. & price. Applications for water, chemicals & air. Avoid shock use & dirt.

Ref	Bore	Size	F/F x O.D.	Bolt Torque	Gms	Price
12P6005	15mm	1/2"	35mm x 45mm	1.5kg/m	80	TBA
12P6007	20mm	3/4"	35mm x 55mm	1.5kg/m	90	TBA
12P6010	25mm	1"	40mm x 64mm	1.8kg/m	92	TBA
12P6010	32mm	1.25"	40mm x 25mm	1.8kg/m	120	TBA
12P6015	40mm	1.5"	42mm x 95mm	2.0kg/m	150	TBA
12P6020	50mm	2"	44mm x 95mm	2.5kg/m	150	TBA
12P6025	60mm	2.5"	71mm x 111mm	2.5kg/m	-	TBA
12P6030	75mm	3"	75mm x 125mm	2.5kg/m	-	TBA
12P6040	100mm	4"	100mm x 159mm	3.0kg/m	-	TBA
12P6060	150mm	6"	133mm x 216mm	4.0kg/m	-	TBA
12P6080	200mm	8"	197mm x 253mm	4.0kg/m	-	TBA

Components:- Body, Poppet, Spider, Spring & Seal (F/F=face to Face) UPVC versions can be supplied at 10%+ extra on above prices.

PLEASE NOTE : Prices subject to change without prior notice.