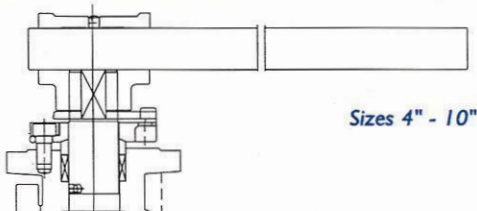


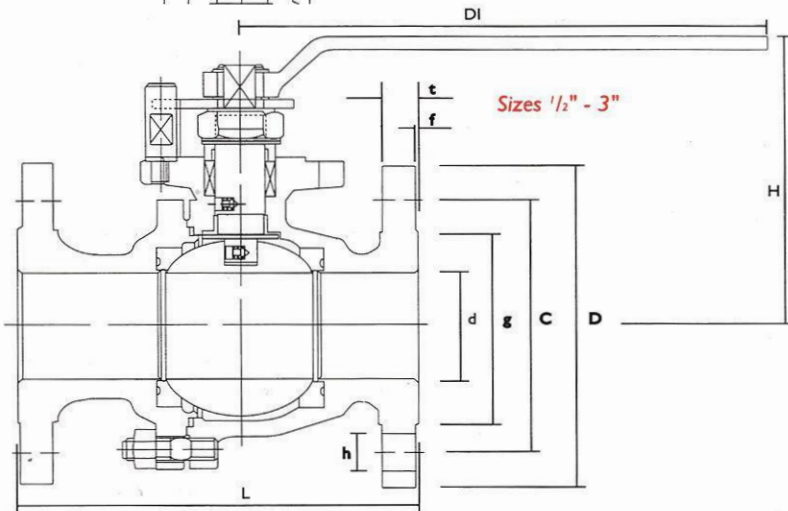
CAST CARBON STEEL BALL VALVES-CLASS 150



EK123F



Sizes 4" - 10"



Sizes 1/2" - 3"

- ◆ Two Piece Body Full Bore
- ◆ Design to BS 5351. Firesafe.
- ◆ Pressure tested to BS 6755 Pt. 1/API 598
- ◆ Fire tested to BS 6755 Pt. 2/API 6FA
- ◆ RFF to ANSI B16.5
- ◆ End/End to ANSI B16.10
- ◆ Lever operated with Actuator Mounting Pad to ISO 5211
- ◆ Anti-static. Lockable

PART NAME	MATERIAL
Body	A216 Gr WCB
Body End	A216 Gr WCB
Body Nut	A194 Gr. 2HM
Body Stud	A193 Gr B7M
Body Gasket	Flexible Graphite
Ball	316 Stainless Steel
Seat Rings	Reinforced PTFE
Stem	316 Stainless Steel
Anti-Static Device	Stainless Steel
Thrust Washer	Reinforced PTFE
Stem Bearing	Reinforced PTFE
Stem Seal/Packing	Flexible Graphite
Gland	Stainless Steel 1/2"-3"
Spring Washer	Carbon Steel
Stopper Pin	Carbon Steel
Belleville Spring	Carbon Steel
Gland Nut	Carbon Steel
Locking Tab	Carbon Steel
Stopper Plate 1.1/2">	Carbon Steel
Snap Ring	Carbon Steel
Handlever	Carbon Steel
Lock Nut 1/2"-1"	Carbon Steel
Gland Bushing	PTFE 4"-10"
Gland	Stainless Steel
Gland Bolt	Alloy Steel
Stopper Plate	Carbon Steel
Snap Ring	Carbon Steel
Handle Head	Carbon Steel
Handle Bar	Carbon Steel
Handle Set Screw	Alloy Steel

Valve size"	d	H	DI	L	End Flange							ISO pad size	Approx Weight (kgs)
					D	C	Drilling		g	t	f		
No	h												
1/2	13	115	165	108	89	60.5	4	16	35	11.2	1.6	F05	2
3/4	19	120	165	117	98	70.0	4	16	43	11.2	1.6	F05	2.6
1	25	130	175	127	108	79.5	4	16	51	11.2	1.6	F05	3.75
1 1/2	38	130	230	165	127	98.5	4	16	73	14.3	1.6	F07	7
2	50	138	230	178	152	120.5	4	19	92	15.9	1.6	F07	9.9
3	75	168	400	203	190	152.5	4	19	127	19.1	1.6	F07	21
4	100	250	450	229	229	190.5	8	19	157	23.9	1.6	F10	35
6	150	320	780	394	279	241.5	8	22	216	25.4	1.6	F14	75
8	200	390	910	457	343	298.5	8	22	270	28.6	1.6	F16	135
10	250	440	1080	533	406	362	12	25	324	30.2	1.6	F16	200

Dimensions in millimetres

Valve sizes to 400mm can be offered together with Class 300 and 600 versions

Pneumatic Single and Double actuators are offered PLUS Electric IP67 operators can be tested and fitted. Specials also.